

EMPOWERING SUCCESS WITH SMART SOLUTIONS

SYNVAARTU assures its clients of transparent business practices, cost-effective solutions, and high-quality services.

Who we are ?

Synvaartu Technologies is a leading outsourcing provider for the Architectural, Engineering & Construction (AEC), Mechanical Engineering, and IT industries. Our clients rely on our high standards of accuracy to enable faster project execution and enhance the scalability of their operations, freeing up valuable time and resources to take on new and larger challenges.



Why Choose Us?



Access top-tier professionals with deep industry knowledge to deliver high quality solutions.



Flexible solutions that grow with your business needs, ensuring long term efficiency.



Seamless coordination across teams and processes for smooth project execution.



Optimized workflows and expert execution to deliver results quickly and reliably.



Cost-effective solutions without compromising on quality or performance.

Engineering & Design Services

Architectural Services

- ✔ Area and Material Estimation
- ✔ Unitized Facade Estimation
- ✔ Panel and Sheet Optimization
- ✔ Shop Drawings and Mockups
- ✔ Panel Fabrication Cards
- ✔ Unitized Modular Shop Drawings
- ✔ Glazing & Curtain Wall Shop Drawings

BIM, 3D Modeling and Rendering

- ✔ Architectural Modeling
- ✔ Steel Modeling
- ✔ Point Cloud Data Conversion
- ✔ LOD 350 Development
- ✔ Exterior & Interior 3D Modeling and Renderings
- ✔ Animation and Virtual Walkthroughs

Civil Engineering Services

- ✔ Structural & Rebar Detailing
- ✔ Structural Drafting and Conversions
- ✔ Steel Detailing
- ✔ BIM for Structural Engineering

Estimation Services

- ✔ Drywall Takeoff
- ✔ Millwork & Casework
- ✔ Facade Estimation
- ✔ Piping Isometric Takeoff

Land Surveying Services

- ✔ Mortgage Survey
- ✔ ALTA Survey
- ✔ Topographic Survey
- ✔ Contour Creation

Software Expertise

- | | | | | | | |
|------------------|------------|---------------------|-----------------|--------------------|-------------|---------------|
| ✔ Auto CAD | ✔ Civil 3D | ✔ On Screen Takeoff | ✔ Enscape | ✔ Plan Swift | ✔ React | ✔ SQL Server |
| ✔ Advanced Steel | ✔ Etabs | ✔ Twin Motion | ✔ Builder Trend | ✔ Faro-Point cloud | ✔ Node JS | ✔ HTML & PHP |
| ✔ Solid Works | ✔ Sketchup | ✔ Lumion | ✔ Procore | ✔ Ansys | ✔ Wordpress | ✔ Open Source |
| ✔ Revit | ✔ Bluebeam | ✔ Vray | ✔ Stack | ✔ Inventor | ✔ .Net | ✔ Adobe Suite |

IT & Digital Services

EMPOWERING DIGITAL GROWTH

- ✓ Custom Web & Application Development
- ✓ Mobile App Development
- ✓ CMS Website Solutions
- ✓ ERP Development & Business Process Integration
- ✓ E-commerce Development & Payment Integration
- ✓ Software Testing Services
- ✓ Graphic Design & 3D Visualization

Business Process & Back Office Services

ACCOUNTING & FINANCE SUPPORT

- ✓ Bookkeeping and ledger management
- ✓ Accounts payable and receivable processing
- ✓ Bank reconciliation and financial reporting
- ✓ Payroll processing and compliance support

Value: Ensures financial accuracy, regulatory compliance, and reduced administrative burden.

SALES & CRM SUPPORT

- ✓ Lead generation and database management
- ✓ CRM updates and pipeline tracking
- ✓ Customer communication and follow-ups
- ✓ Sales reporting and analytics

Value: Enhances customer engagement and improves conversion efficiency.

PROPOSAL & ESTIMATION SERVICES

- ✓ Preparation of technical and commercial proposals
- ✓ Tender documentation and bid submissions
- ✓ Cost estimation and BOQ preparation
- ✓ Presentation and documentation support

Value: Improves bid quality, consistency, and win rates, ensuring competitive advantage.



PURCHASING & PROCUREMENT SUPPORT

- ✓ Vendor identification and onboarding
- ✓ Request for Quotations (RFQs) and bid comparison
- ✓ Purchase order processing and tracking
- ✓ Inventory coordination and supplier communication

Value: Streamlines procurement cycles and improves cost control.

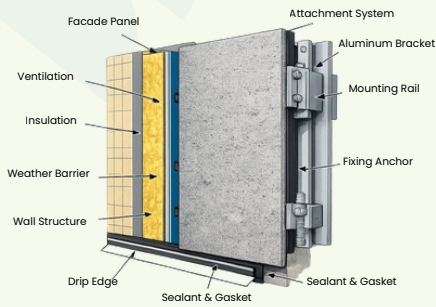
ADMINISTRATIVE SUPPORT SERVICES

- ✓ Data entry and document management
- ✓ Email and calendar management
- ✓ Report preparation and MIS reporting
- ✓ General virtual assistant services

Value: Reduces operational workload and improves internal efficiency.

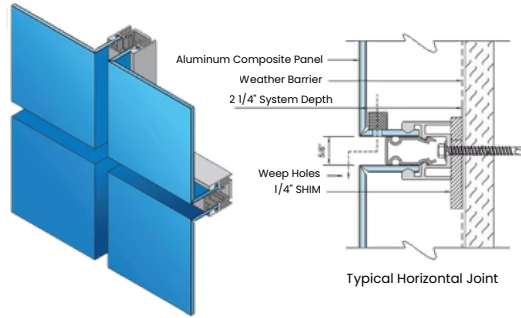
Contact Us

Materials and scope we worked for Estimation, Shop Drawing & Manufacturing



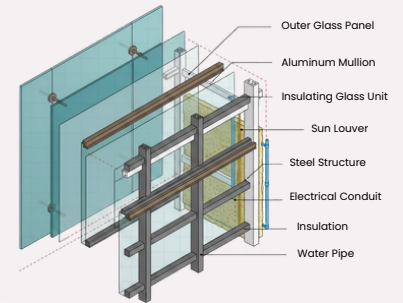
Facade Panels

- ✓ Cladding & Decorative Facade
- ✓ ACM Phenolic/Fundermax Panels
- ✓ Insulated Metal Panels (IMP)
- ✓ Fiber Cement Panels
- ✓ Stone Panels
- ✓ AFP Panels
- ✓ Lux/Polycarbonate Panels
- ✓ Zinc Shingles Trimstone
- ✓ Quartz Stone
- ✓ UHPC
- ✓ HPL



Cladding & Decorative Facade

- ✓ Metal Cladding
- ✓ Wood Cladding
- ✓ Standing Seam
- ✓ Brick Cladding
- ✓ AFP Cladding
- ✓ Stone Cladding
- ✓ Molding/Terracotta
- ✓ Baguettes
- ✓ Longboard



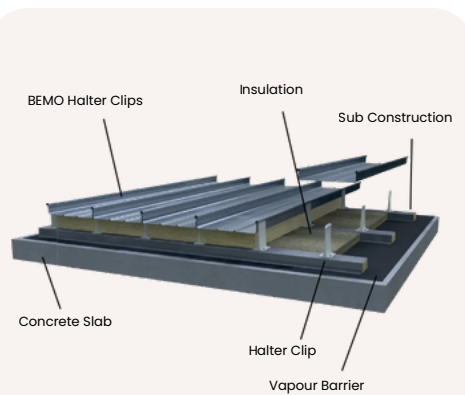
Glass Facade

- ✓ Glazing and Curtainwall
- ✓ Kalwall
- ✓ Solatube
- ✓ Translucent Panel



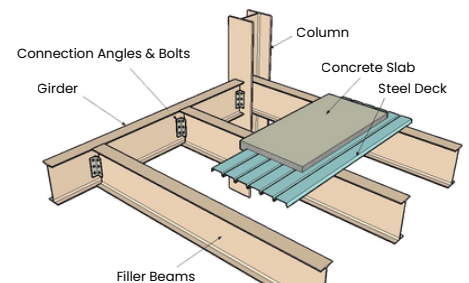
Miscellaneous

- ✓ Painting
- ✓ Miscellaneous Metals
- ✓ Concrete
- ✓ Tiling Work
- ✓ Millwork and Casework
- ✓ Drywall and Acoustic Ceiling



Roofing

- ✓ Standing Seam (Bemo) Roof & Walls
- ✓ SBS & TPO Roofing
- ✓ Zinc Shingles
- ✓ Solatube and Skylight



Structural

- ✓ Reinforced Concrete
- ✓ Timber
- ✓ Structural Steel
- ✓ Cold Formed Steel
- ✓ Steel Stud Framing
- ✓ Reinforced Masonry
- ✓ Aluminium
- ✓ Stainless Steel
- ✓ Composite Sections

Contact Us